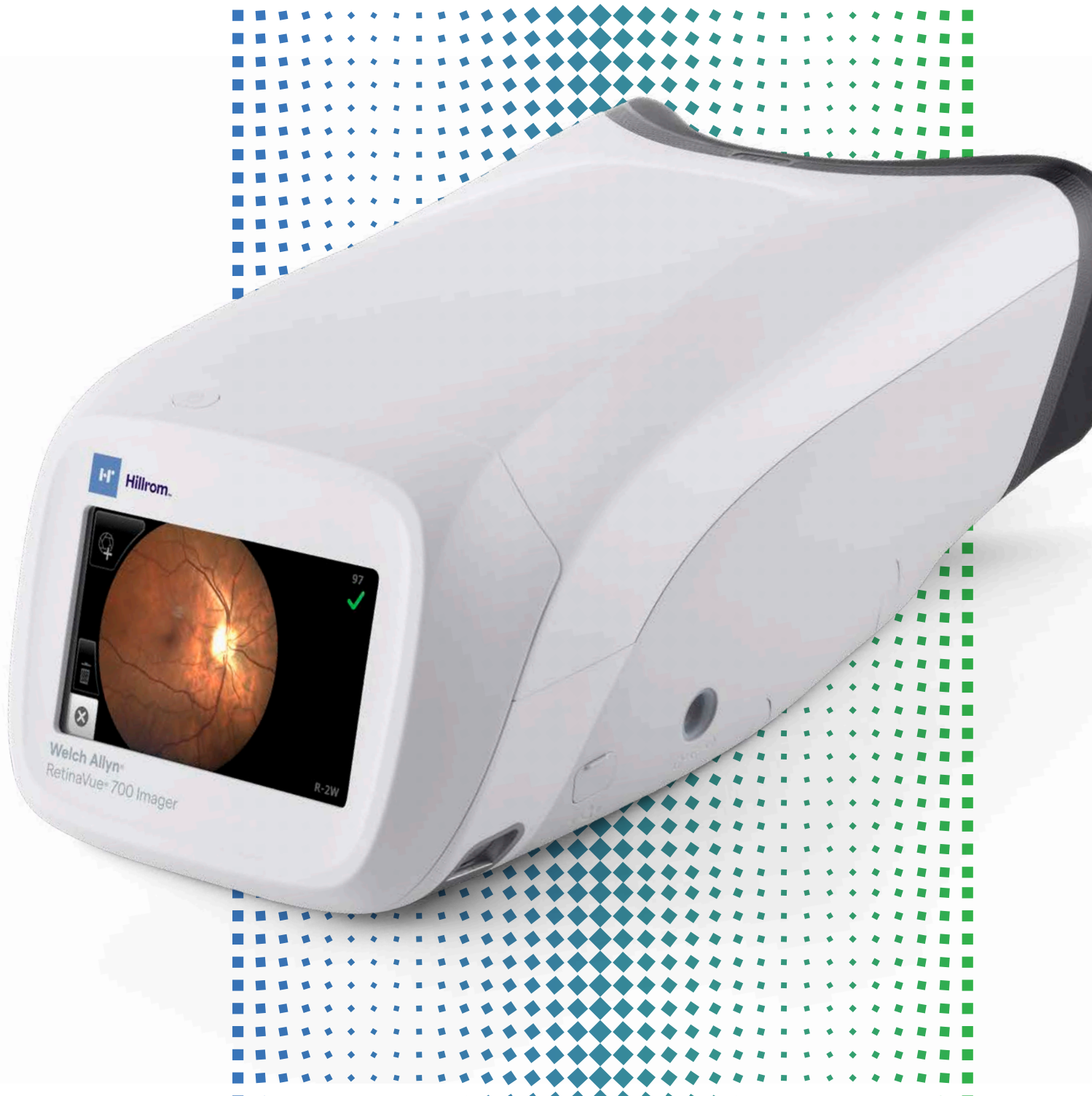




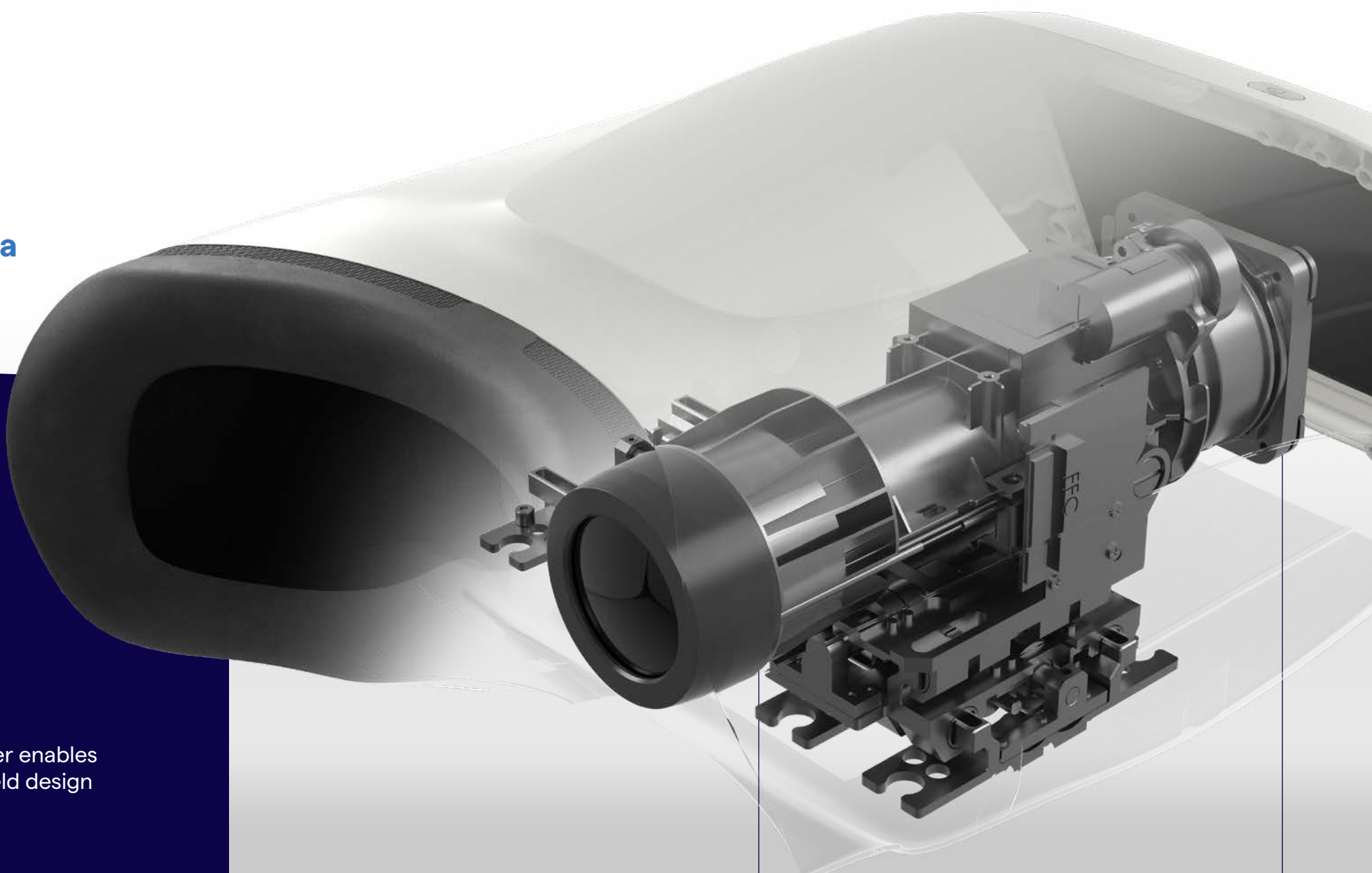
Hillrom™

Welch Allyn® RetinaVue® 700 Imager



RETINAVUE 700 IMAGER

The world's most advanced handheld retinal camera



Easy to use

Experience automated retina imaging in a handheld camera—featuring auto-alignment, auto-focus and auto-capture. Keep your focus on your patient, not on difficult-to-use technology.



Made for primary care

Non-mydriatic and small-pupil capable, the RetinaVue 700 Imager enables comfortable exams without chemical dilation. The small, handheld design is perfect for busy clinics and mobile healthcare applications.



Superior image quality

Our proprietary image-quality assessment algorithm can help reduce your need for re-imaging appointments. You will get an immediate quality score on the image you capture.



Security built in at every layer

We know you need to protect both your patients and your infrastructure. That's why our HIPAA/HITECH-compliant RetinaVue Network features end-to-end encryption of data in transit and at rest, along with secure client-server authentication. The RetinaVue Network, hosted on the Microsoft® Azure™ cloud, is independently verified for security, privacy and compliance controls to give you peace of mind and help you protect what matters.



AUTOMATIC FOCUS & IMAGE CAPTURE

Unique, three-axis motor supports automatic alignment and automatic image capture, removing the guesswork from your workflow

60° WIDE FIELD OF VIEW

Featuring the widest field of view—up to 75% larger capture area compared to other leading cameras—to help you see more pathology in a single image

SMART CAMERA FUNCTIONALITY

Assesses pupil size and lens clarity, providing helpful warnings for small pupil size and dirty lens to save you time

2.5 MM SMALL PUPIL CAPABILITY

A fast, more complete exam is here with little to no chemical dilation needed for small pupils



WELCH ALLYN RETINAVUE 700 IMAGER SELECT PRODUCT SPECIFICATIONS*

Field of View	60 degree (Typical)
Diopter Range	-20 to +12 diopter (Typical)
Dimensions	Length: 11.4 inches (290.2 mm) Width: 6.6 inches (167 mm) Height: 4.8 inches (106 mm)
Weight	Standard Capacity Battery: 2.8 lbs (1270 grams) High Capacity Battery: 3.0 lbs (1361 grams)
Illumination	Preview Mode: Infrared LED Image Capture: Natural White LED
Focus	Automatic and Manual Focus
Image Resolution	2592 x 1944 pixels (5MP)
LCD Monitor	4.3 inch
Image Format	Encrypted JPEG, DICOM
Interface	Micro USB
Main Power	100~240 VAC, 50/60 Hz
Power Adapter	Input: 100~240 VAC, 50/60 Hz, 1.0 - 0.5 A; Output: 12 V DC, 3 A

* For a complete list of product specifications, visit retinavue.com/700

ORDERING INFORMATION

RV700-B	Welch Allyn RetinaVue 700 Imager with Premium Storage Case; 100-240 V, 50-60 Hz AC, 3200 mAh Lithium-Ion 7.2 V Battery; IEC Plug Type-B
728131	7.2 V Lithium-Ion Battery for RetinaVue 700 Imager; 3200 mAh (standard capacity)
728132	7.2 V Lithium-Ion Battery for RetinaVue 700 Imager; 6400 mAh (high capacity)
728133	Battery charger for RetinaVue 700 Imager
728134	Welch Allyn Pedestal Base for RetinaVue 700 Imager