

CHAIRS & STANDS



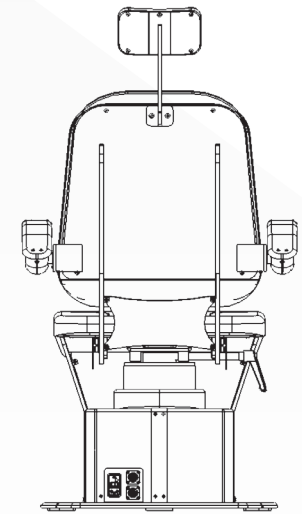
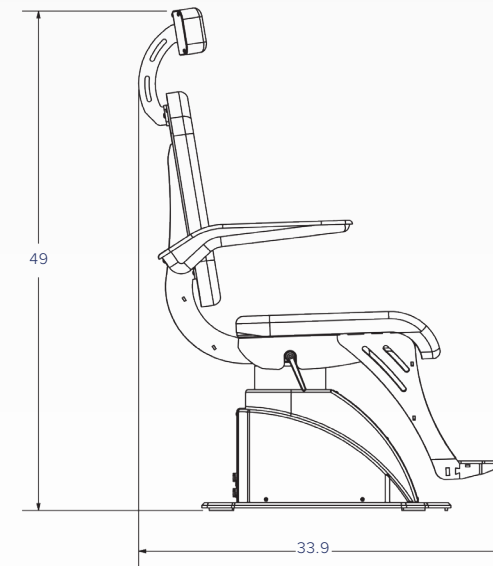
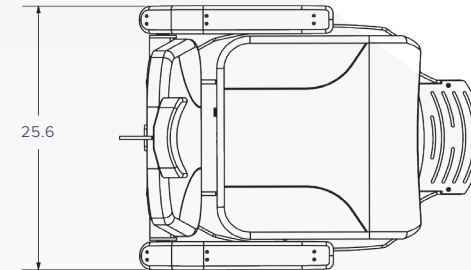
1000-CH EXAMINATION CHAIR

Comfortable and sleek

- Smooth, silent operation for precise, powerful adjustments
- Plush upholstery foam for maximum comfort
- Lift System for responsive, smooth, and powerful hydraulic lift
- Individually retractable armrests for optimal patient positioning
- Solid steel construction for safe, easy ingress and egress



1000-CH EXAMINATION CHAIR



TECHNICAL SPECIFICATIONS:

Shipping Weight: 260 lb
Gross Weight: 222 lb
Baseplate: 22"x23.25"
Lift Capacity (lb): 350 lb
Ground to Seat: 20"
Seat raises to 28.5" and lowers to 20"
Lift Column Stroke: 8.5"
Rotation: 360°
Tilt Mechanism: None
Input Voltage: 100-240 VAC, 50/60Hz
Fuses: 8A Main

