

CHAIR/STAND COMBOS



Optimize space and functionality with a small-footprint combination chair/stand unit.

- Small, space-saving design
- Responsive, powerful hydraulic lift system with sensible height control locations
- Improved headrest design
- Intelligent rotation lock
- Robust footrest and functional armrests

2000-CB CHAIR & STAND COMBO (CRADLE TILT RECLINE)

Chair for convenient, motorized reclining.

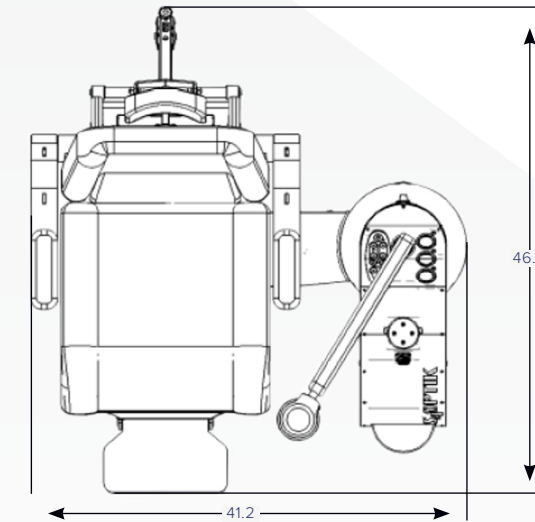
- Effortless cradle tilt recline and perfect counterbalance
- One-handed release and control mechanism, accessible on both sides of the chair



2000-CB CHAIR & STAND COMBO (CRADLE TILT RECLINE)

TECHNICAL SPECIFICATIONS:

Shipping Weight: 461lbs
Gross Weight: 401lbs
Height Console: 29"
Height Pole: 68"



OPTIONAL EXTRA FEATURES:

- BIO Hanger
- Storage Tray
- Optional 3rd Arm

